



FOOD-TEK
DIVISION

FOOD CUTTER PRATIC



GAM International by Minerva Omega Group



Experience. Evolution. Excellence.



PRATIC

MAIN FEATURES

Short description

3, 5 & 8 litres food cutters

Speeds

up to 9 speeds

Standard features

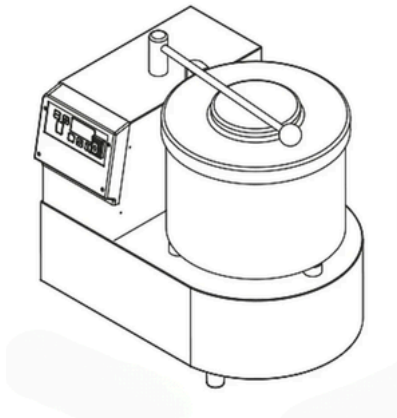
- Hub with smooth blades
- Plastic lid

RPM

900 - 2200 rpm

Additional features

- 24 Volt low-tension controls
- Mechanical brake lining activated by the releasing lever of the bowl lid
- Safety micro-switch on the lid
- Possibility to adjust the rotation speed among 9 different positions from 900 to 2200 rpm
- Bowl spaced out of the motor in order to keep room temperature



AVAILABLE ACCESSORIES

- Complete hubs smooth blades
- Complete hubs toothed blades
- Complete hubs drilled blades

DIMENSIONS

	PRATIC 3	PRATIC 5	PRATIC 8
Lenght	240 mm	310 mm	
Width	350 mm	410 mm	
Height	310 mm	340 mm	400 mm
Feed pan	Ø = 180 mm H = 105 mm	Ø = 240 mm H = 120 mm	Ø = 240 mm H = 180 mm
Net Weight	10 kg	18 kg	19 kg

Specifications and other features are subject to change without notice.



PRATIC

ELECTRICAL DATA

	PRATIC 3	PRATIC 5	PRATIC 8
Nominal voltage	Single phase (V 230/1/50 Hz)		
RPM	900 - 2200 rpm		
Power consumption	480 kW	960 kW	

PRODUCTION

	PRATIC 3	PRATIC 5	PRATIC 8
Load capacity	3 L	5 L	8 L

PRODUCTION



Passato di pomodoro/Tomato purée



Passato di verdure/Vegetables purée



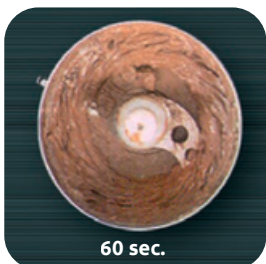
Mozzarella per pizza/Mozzarella for pizza



Carne per ragù tritata/Minced meat for ragout



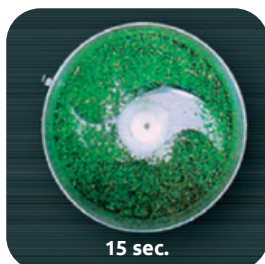
Maionese/Mayonnaise



Cioccolato/Chocolate



Pane grattugiato/Breadcrumbs



Prezzemolo, aglio, cipolla, peperoncino tritati/Chopped parsley, garlic, onion, chilly pepper



Frutta secca tritata/Chopped dried fruit



Impasti teneri per dolci/Soft dough for cakes

Specifications and other features are subject to change without notice.